



ALUMINUM RAILINGS



Aluminum Railings for Exterior Use (Including Balconies)

Available in 5 Standard Styles

Custom Work Available~

Fence Panels to Match Railing Styles

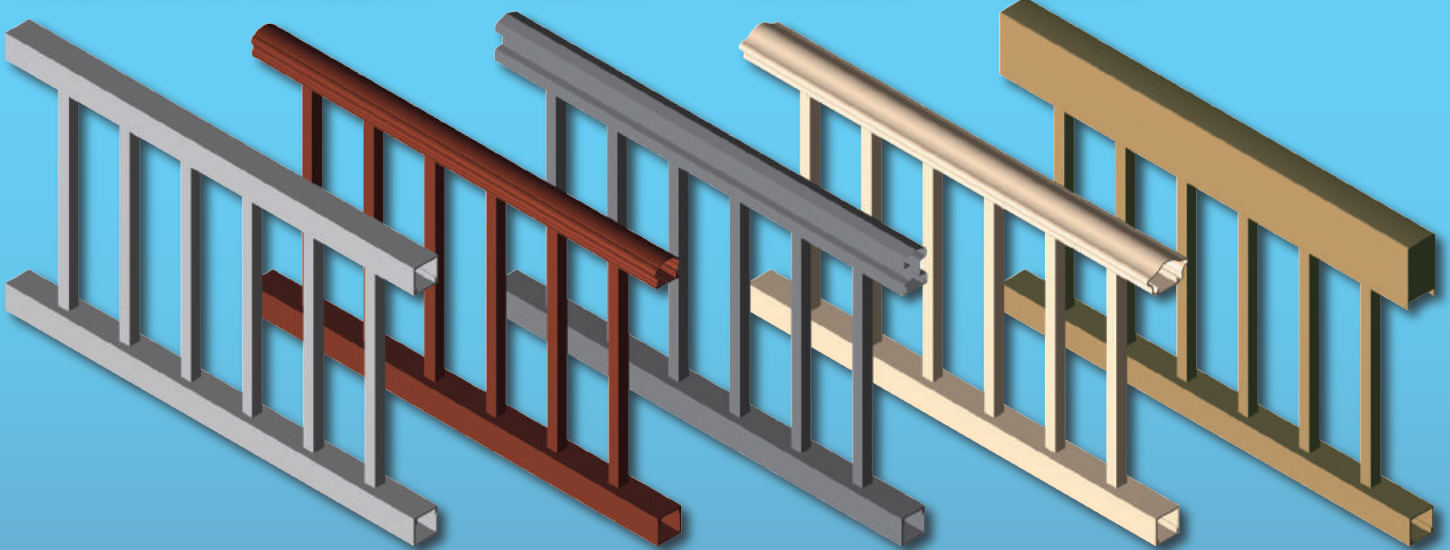
5 STANDARD STYLES

TRADITIONAL CAROLINA

VIRGINIA

MARYLAND

SENATE



Minimal maintenance: no rust, no annual painting, no splintering wood.
Available in a wide variety of colors.
Meets or exceeds IBC 2006, BOCA, FHA building codes.

Constructed from welded aluminum components and finished with a thermally applied powder coating.
Professional installation, custom designed and engineered shop drawings to meet your specific needs.

SPECIFICATIONS

1013.2 HEIGHT

Guards shall form a protective barrier not less than 42 inches high for multifamily and commercial individual dwelling units in occupancies in Group R-2, guards 36 inches high. Other heights are available upon request.

1607 LOAD

Handrail assemblies and guards shall be designed to resist a load of 50 plf (0.73 kN/m) applied in any direction at the top and to transfer this load through the supports to the structure. For one- and two-family dwellings, only the single concentrated load. Handrail assemblies and guards shall be able to resist a single concentrated load of 200 pounds (0.89 kN), applied in any direction at any point.

OPENINGS

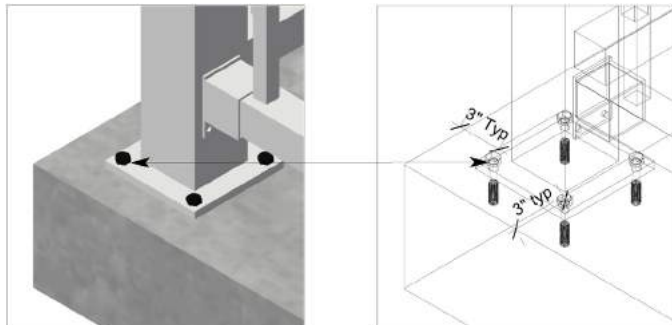
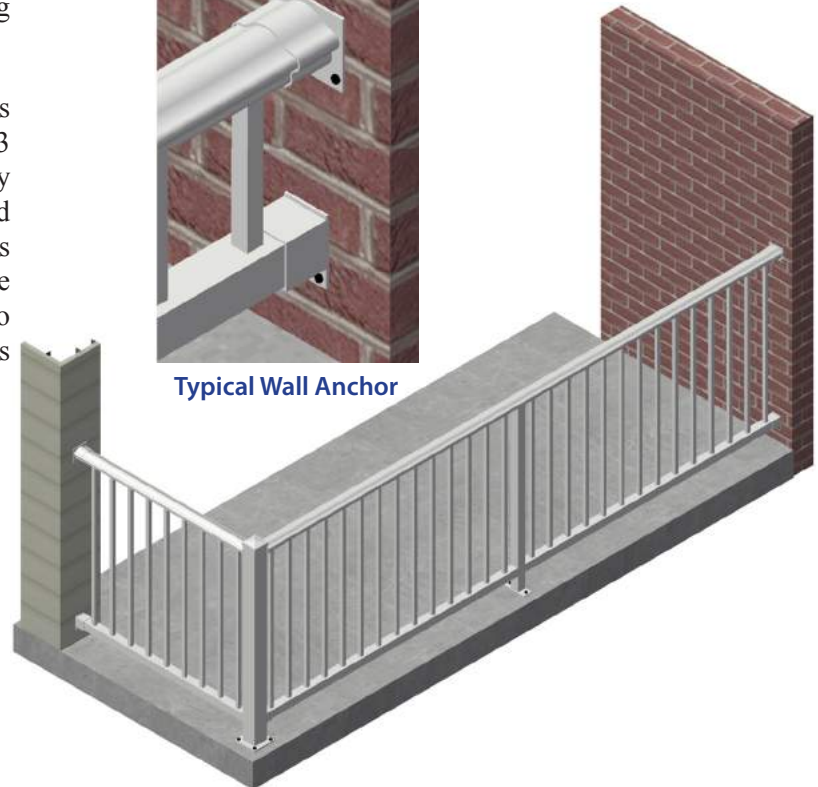
Open guards shall have balusters or ornamental patterns such that a 4-inch-diameter (102mm) sphere cannot pass through any opening up to a height of 34 inches (864mm). From a height of 34 inches (864mm) to 42 inches (1067mm) above the adjacent walking surfaces, a sphere 8 inches (203mm) in diameter shall not pass. Exceptions: 1. The triangular openings formed by the riser, tread and bottom rail at the open side of a stairway shall be of a maximum size such that a sphere of 6 inches (152mm) in diameter cannot pass through the opening.

Reference specifications compliant with IBC 2006 Building codes, local building codes may vary. Review local building codes for minor variances.

Environmentally safe in-house powder coating finishing process provides a long lasting minimum maintenance finish. After 3 stage metal preparation process, powder is electrostatically applied for uniform coverage. The powder is melted and allowed to flow uniformly over the surface covering all exposed areas and then cured hard at 425°. No thinners or other VOC (volatile organic compounds) are released into the environment. No micro fine holes in film to allow corrosion. Typical thickness of coating 5x the thickness of a painted product.



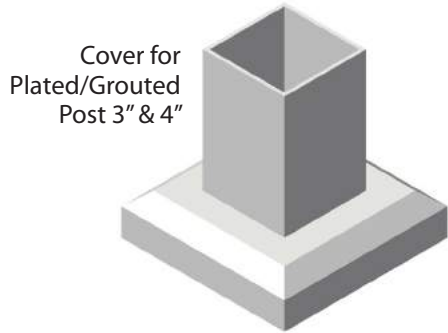
Typical Wall Anchor



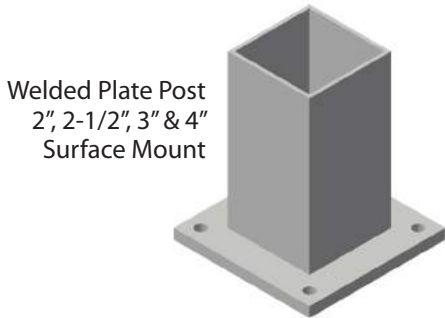
Typical Corner or End Post

Masonry anchors 2@ 3/16" diameter x 2" deep for collars cap and bottom for wall that are structurally sound (brick tied) or use blocking similar to fascia/siding attachment.

POST MOUNTS



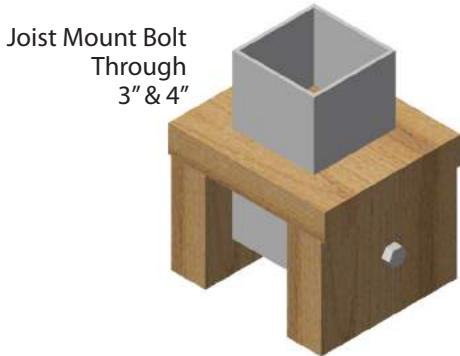
Cover for Plated/Grouted Post 3" & 4"



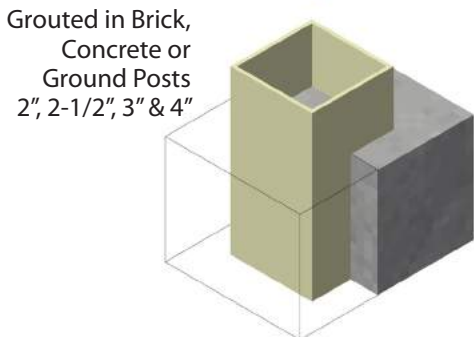
Welded Plate Post 2", 2-1/2", 3" & 4" Surface Mount



Side Mount Welded Plate Post 2", 2-1/2", 3" & 4"



Joist Mount Bolt Through 3" & 4"



Grouted in Brick, Concrete or Ground Posts 2", 2-1/2", 3" & 4"

COLLARS

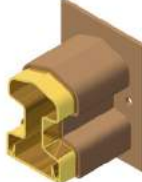
Traditional Collar



Senate Collar



Virginia Collar



Maryland Collar



Carolina Collar



*All Collars - extra standard clips sent with rail panels

BALL TOPS



4" Post



3" Post

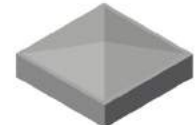


2" Post

POST CAPS



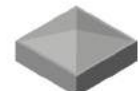
4" Post



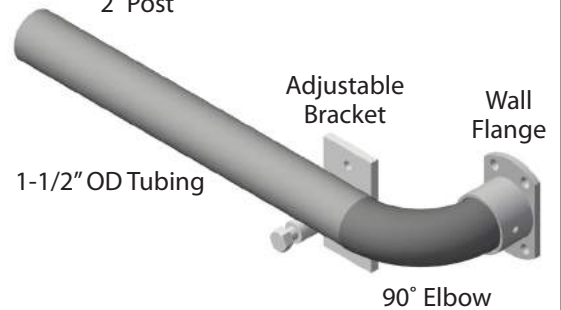
3" Post



2-1/2" Post



2" Post

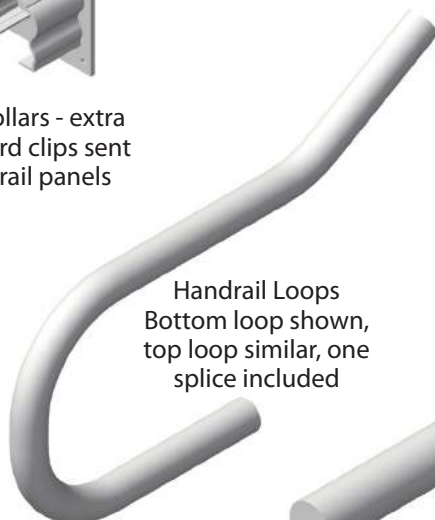


1-1/2" OD Tubing

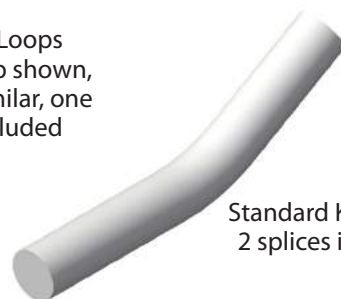
Adjustable Bracket

Wall Flange

90° Elbow



Handrail Loops
Bottom loop shown, top loop similar, one splice included



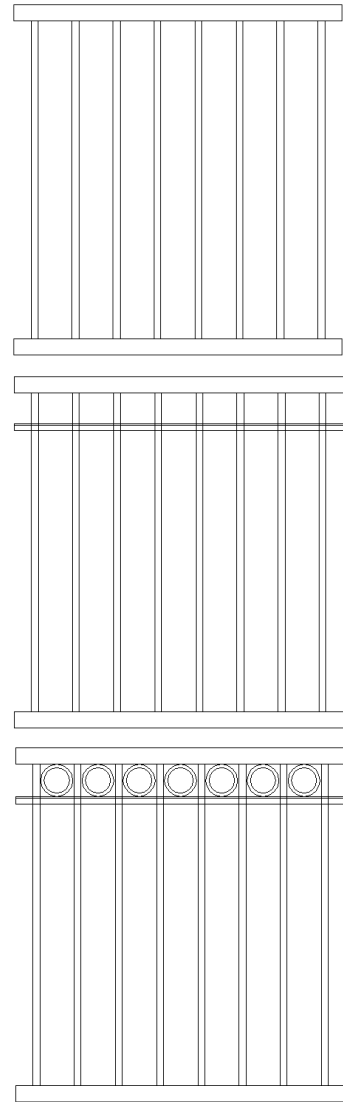
Standard Kick Bend
2 splices included

STANDARD RAIL PANELS

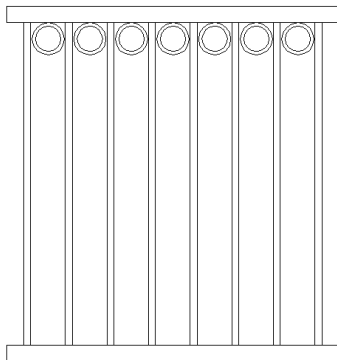


2 Line
available with
3/4" picket
1" Picket
1-1/2" picket

3 Line
available with
3/4" picket
1" Picket
1-1/2" picket



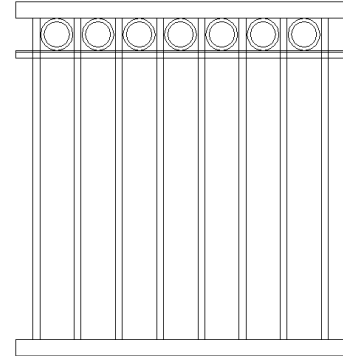
2 Line Ring
available with
3/4" picket
1" picket



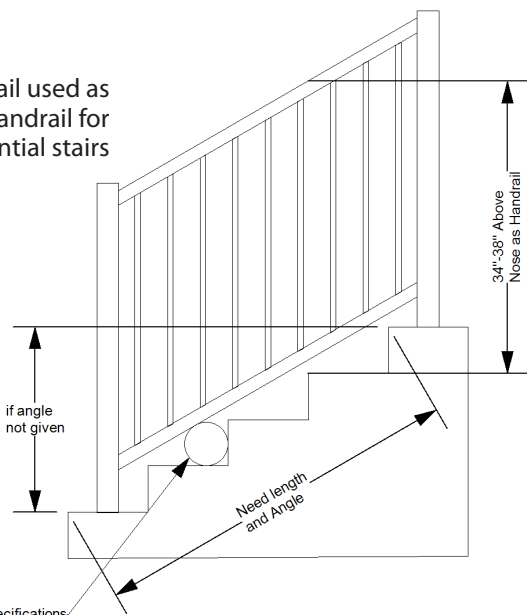
~Custom Designs Available~

Plasma Cut Decorative Patterns
Additional Lines or Rings
Decorative Castings
"Bowed" Balustrades
Gates

3 Line Ring
available with
3/4" picket
1" picket

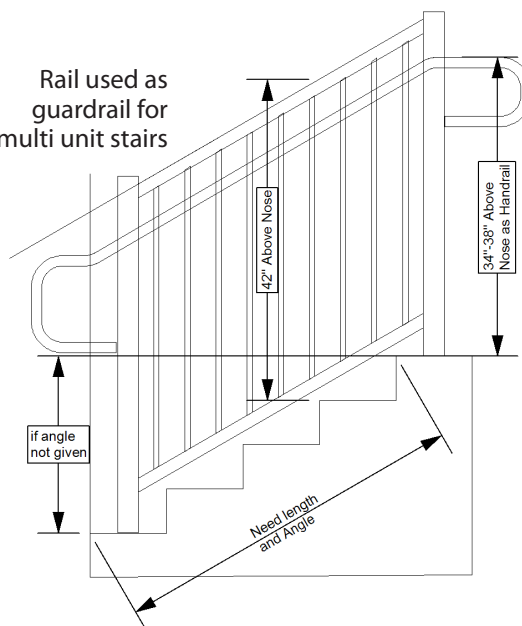


Rail used as
handrail for
residential stairs



6" Sphere from Specifications

Rail used as
guardrail for
multi unit stairs



*All Railings and
Balconies
manufactured by our
affiliate:*

Hercules Custom Iron
36 West Pennsylvania Avenue
Walkersville, MD
21793
301.845.0808
Fax 301.845.0707
1.800.331.2590
www.herculescustomiron.com

S. Hampton Roads
1526 Early Street
Norfolk, VA 23502-1604
757.321.6700 / Fax 757.321.6710

Maryland
8580 Mission Road
Jessup, MD 20794
410.799.1555 / Fax 410.799.0008

Northern Virginia
8194 Euclid Court
Manassas Park, VA 20111
703.551.2609 / Fax 703.361.2127

Richmond
11074 Air Park Road
Ashland, VA 23005
804.752.7992 / Fax 804.752.7121

Peninsula
1807 George Washington Hwy.
York County, VA 23693
757.316.3600 / Fax 757.316.3604

Raleigh
6001 Triangle Road, Suite B
Raleigh, NC 27617
919.571.3252 / Fax 919.571.3253